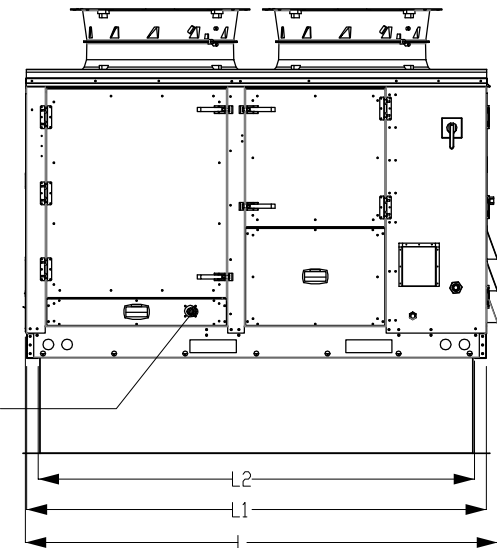
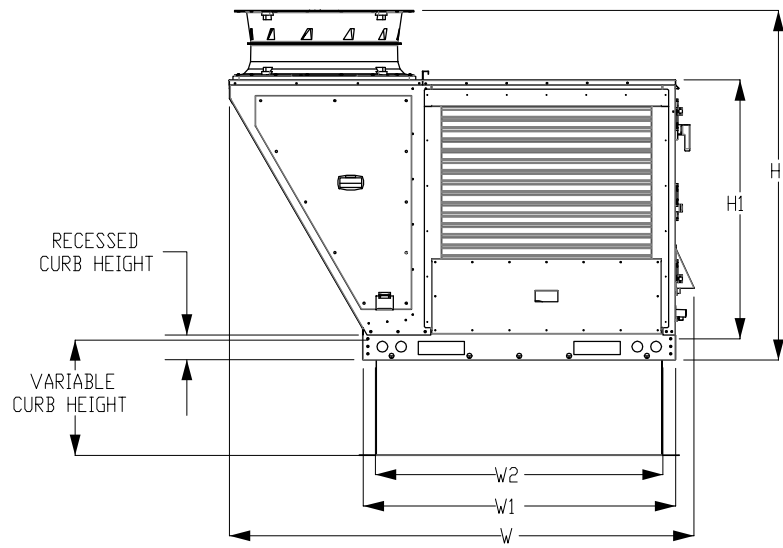
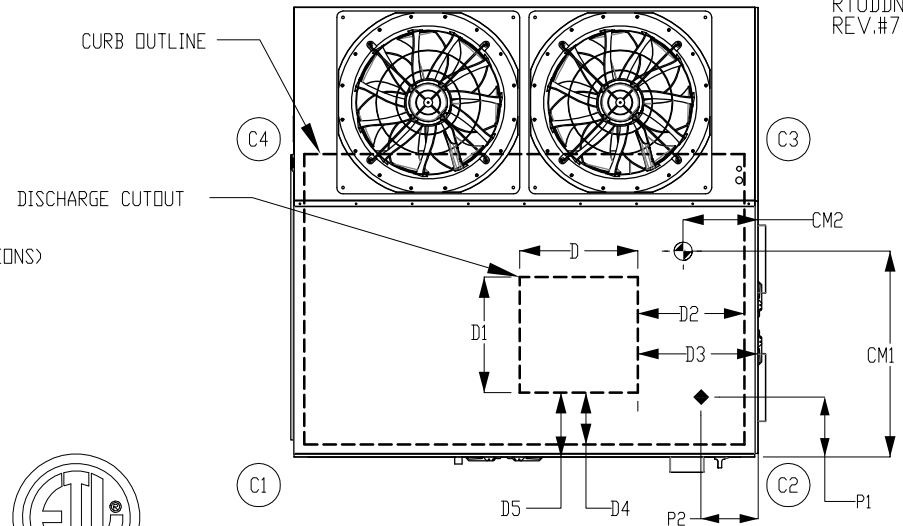
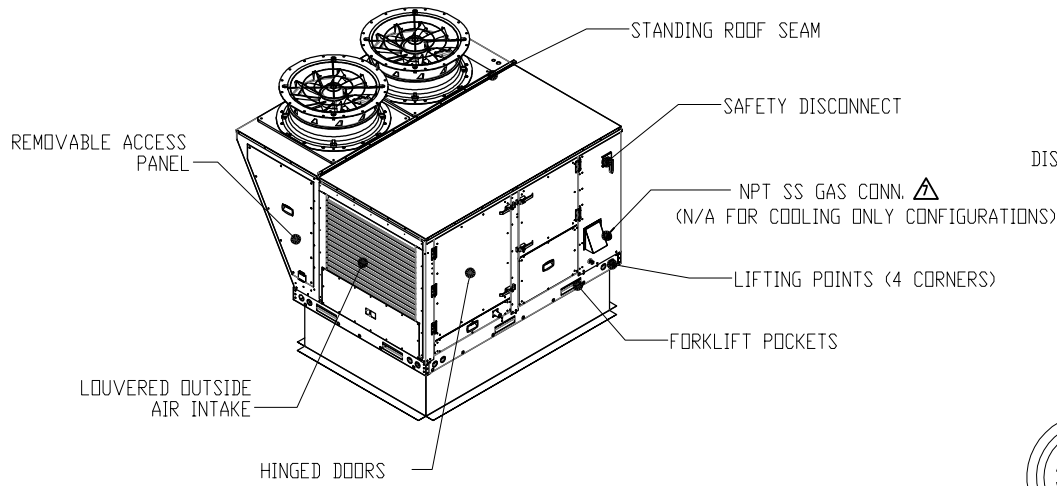


ROOFTOP UNIT DOWN DISCHARGE NO RETURN

RTUDDNR
REV.#7 05/15/19



RTU INFORMATION*										CENTER OF MASS		CORNER WEIGHTS (LBS)				ENTERING POWER	
UNIT SIZE	AVAILABLE NOMINAL TONNAGE	INTAKE FILTERS	SUPPLY FILTERS	FURNACE CAPACITY (MBH)	ELECTRIC CAPACITY (KW)	APPROXIMATE WEIGHT (LBS)	CM1	CM2	C1	C2	C3	C4	P1	P2			
2	8, 10	25 X 20 X 2 (2)	16 X 20 (8)	50 - 200	15 - 60	1650	32	36	441	537	369	303	5 1/4	7 1/4			
3	12.5, 15, 20	16 X 25 X 2 (4)	25 X 20 (8)	150 - 500	15 - 100	2500	37 1/4	44	472	572	798	658	5 1/2	7 1/2			

RTU DIMENSIONS*										DISCHARGE DIMENSIONS						CURB SIZE
UNIT SIZE	UNIT LENGTH (L)	OUTSIDE BASE LENGTH (L1)	INSIDE BASE LENGTH (L2)	UNIT HEIGHT (H)	MOUNTED HEIGHT (H1)	UNIT WIDTH (W)	BASE WIDTH (W1)	INSIDE BASE WIDTH (W2)	RECESSED CURB HEIGHT	D	D1	D2	D3	D4	D5	
2	81 3/4	79 3/4	75 3/4	60	45	80 3/4	54	49 3/4	3 1/2	20 1/2	20	19 3/4	22	9	12	75 x 49 1/2
3	99	96 3/4	91 3/4	68 1/4	52 3/4	89 3/4	65 1/4	60	4 1/4	21 1/2	39	20	23 1/4	4 1/4	8	91 x 59 1/2

*ALL DIMENSIONS IN INCHES UNLESS OTHERWISE SPECIFIED

- NOTES:
- ROOF OPENING MUST BE 2" SMALLER THAN CURB DIMENSIONS IN BOTH DIRECTIONS
 - DO NOT OBSTRUCT OUTSIDE AIR INLET, OUTSIDE AIR COIL OR OUTSIDE AIR FAN
 - FLOOR MOUNT ISOLATORS LOCATED 1' FROM END OF BASE IN EITHER DIRECTION. ACCOUNT FOR AN ADDITION 5' FOR ISOLATOR HEIGHT
 - QUANTITIES SUBJECT TO CHANGE DEPENDING ON FILTER TYPES
 - ONLY APPLICABLE FOR INDIRECT HEAT OR ELECTRIC HEAT CONFIGURATIONS
 - SUBTRACT 100 LBS. FOR COOLING ONLY CONFIGURATIONS
 - 3/4" NPT SS GAS CONN. FOR 50-200 MBH FURNACES
1" NPT SS GAS CONN. FOR 300-500 MBH FURNACES